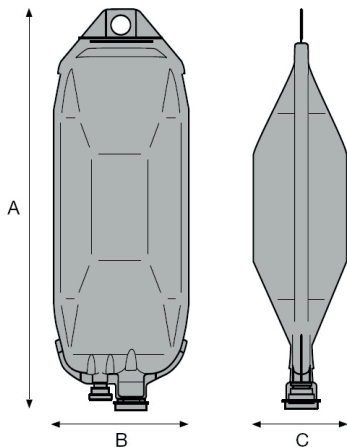


Intra-Con IV Containers with Additive Port

100ml, 250ml, 500ml, 1000ml



Ref. no	1863	1864	1865	1866
Volume (ml)	100	250	500	1000
Material	PP	PP	PP	PP
Additive port	Yes	Yes	Yes	Yes
Colour	Natural	Natural	Natural	Natural
Dimension A (mm)	211.8	245.8	288.5	315.8
Dimension B (mm)	84	84	84	105
Dimension C (mm)	15	36	56	74
Neck opening (mm)	Ø13 / Ø20	Ø13 / Ø20	Ø13 / Ø20	Ø13 / Ø20
Weight (gr)	19.3	21.1	21.8	31.3
Packing (pcs/carton)	365	525	380	254
Volume of carton (m3)	0.096	0.144	0.144	0.144
Carton dimension LxWxH (mm)	600x400x391	800x400x450	800x400x450	800x400x450
Carton weight filled (kg)	8.0	11.7	9.0	8.5
Cartons/EUR pallet	20	12	12	12
Quantity/EUR pallet	7,300	6,300	4,560	3,048
Sterilization	Autoclavable			

2021-09

The data set forth herein has been carefully compiled by MedicoPack A/S. However, there is no warranty of any kind either express or implied, applicable to its use and the user assumes all risk and liability in connection therewith.